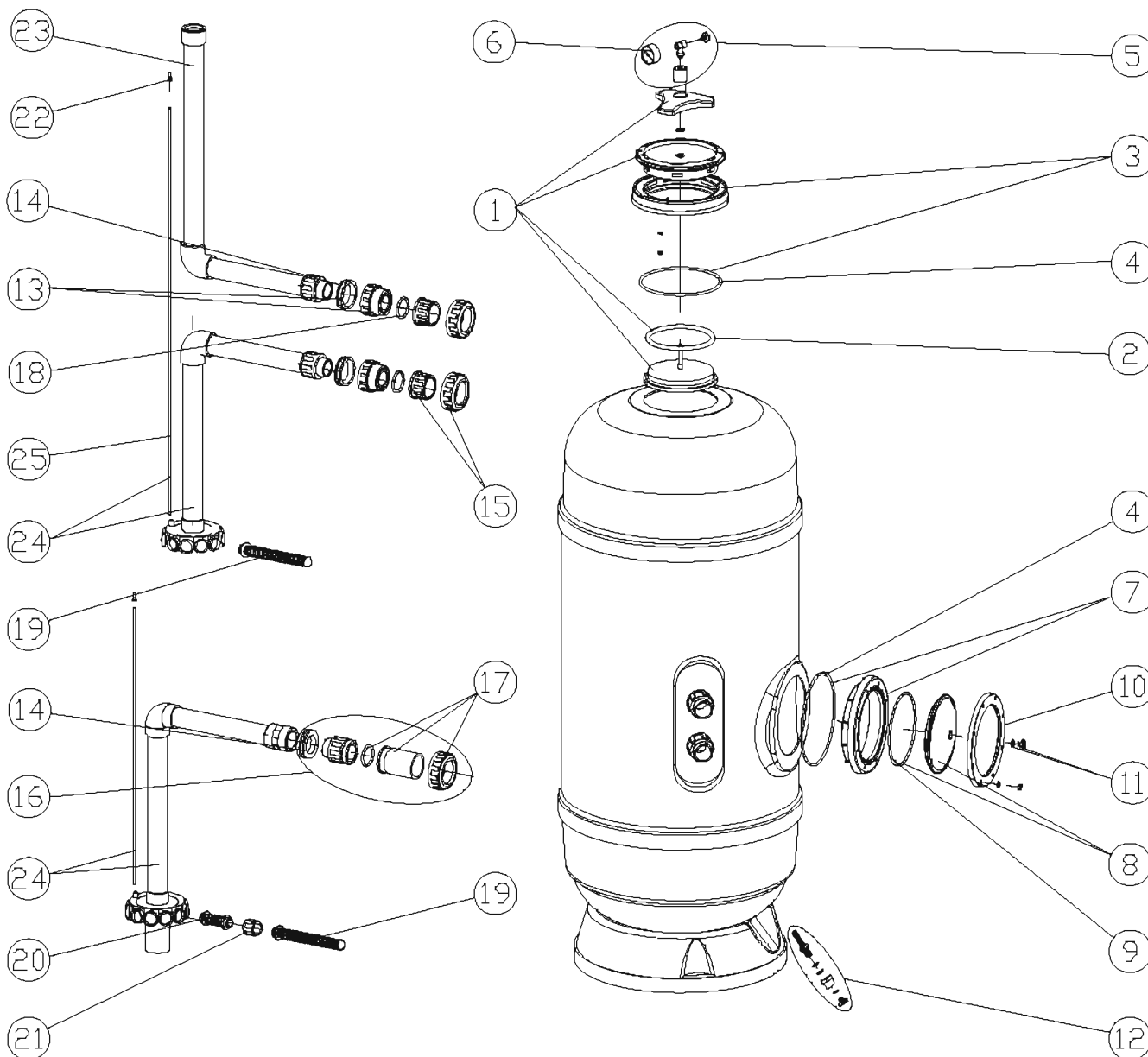


CODIGO : 07994 00495 00496 07454
DESCRIPCION : FILTROS PTK 1000 M/M. D. 500 - 650 - 800 - 950



Pos.	CODIGO	DENOMINACION	Pos.	CODIGO	DENOMINACION
1	4404020102	TAPA RAPID COMPLETA	17	4404302702	TUERCA ENLACE 3 PIEZAS 75
2	4404020111	JUNTA TAPA	18	4404301901	JUNTA ENLACE 1 1/2" - 2"
3	4404020108	ARO TAPA COMPLETO	18	4404302703	JUNTA ENLACE 2 1/2"
4	4404020116	JUNTA TORICA 255X4	19	4404300915	BRAZO COLECTOR 1" 175 M/M.
5	4404020101	MANOMETRO 1/8" COMPLETO	19	4404300916	BRAZO COLECTOR 1" 225 M/M.
6	4404010103	MANOMETRO 1/8" 3KG/CM.	20	4404280419	BRAZO COLECTOR 1" 100 MM.
7	4404180809	ARO CUELLO 20 TORNILLOS	21	4404280418	MANGUITO ENLACE UNION 1"
8	4404180847	TAPA BLANCA D.220 CON JUNTA	22	4404040108	PURGA AIRE
9	4404280108	JUNTA ARO FIJACION VALVULA	23	07994R0082	CONJ.DIFUSOR D.500
10	4404180849	ARO FIJACION TAPA	23	00495R1100	CONJ.DIFUSOR D.650
11	4404040113	TAPON PURGA Y JUNTA	23	00496R1100	CONJ.DIFUSOR D.800
12	4404010108	PURGA AGUA 3/8"	23	07454R0062	CONJ.DIFUSOR D.950
13	4404020103	RACORD 1 1/2"+JUNTA CONCAVA	24	07994R0081	CONJ.COLECTOR D.500
13	4404020203	RACORD 2"+JUNTA CONCAVA	24	00495R0800	CONJ.COLECTOR D.650
14	4404020112	JUNTA CONCAVA 1 1/2"	24	00496R1200	CONJ.COLECTOR D.800
14	4404020211	JUNTA CONCAVA 2"	24	07454R0081	CONJ.COLECTOR D.950
14	4404180112	JUNTA CONCAVA 2 1/2"	25	04975R1350	TUBO PURGA D. 500 - 650
15	4404301902	SALIDA D.50	25	04975R1363	TUBO PURGA D. 800
15	4404301903	SALIDA D.63	25	04975R1375	TUBO PURGA D. 950
16	4404302701	CONJUNTO SALIDA 2 1/2" - D.75			

ENGLISH

POS.	CODE	DESCRIPTION	POS.	CODE	DESCRIPTION
1	4404020102	QUICK CLOSING LID UNIT	17	4404302702	3 PIECE CONNECTION 75
2	4404020111	LID GASKET	18	4404301901	O RING D.56,3X5.3 EPDM65
3	4404020108	LID RING UNIT	18	4404302703	GASKET 2 1/2"
4	4404020116	O' RING 255x4	19	4404300915	MANIFOLD ARM 1" 175 mm
5	4404020101	PRESSURE GAUGE UNIT 1/8"	19	4404300916	MANIFOLD ARM 1" 225 mm
6	4404010103	PRESSURE GAUGE 1/8" 3 KG./CM	20	4404260419	MANIFOLD ARM 1" 100 mm
7	4404160809	20-SCREW NECK RING	21	4404260418	UNION 1"
8	4404160847	FILTER LID D. 220 BLACK	22	4404040108	AIR PURGE
9	4404260106	VALVE TOP RING FIXING GASKET	23	07994R0062	DIFFUSER ASSEMBLY PTK 1000 D.500
10	4404160849	LIF FIXING RING	23	00495R1100	DIFFUSER ASSEMBLY PTK 1000 D.650
11	4404040113	DRAIN PLUG AND GASKET	23	00496R1100	DIFFUSER ASSEMBLY PTK 1000 D.800
12	4404010108	WATER PURGE 3/8"	23	07454R0062	DIFFUSER ASSEMBLY PTK 1000 D.950
13	4404020103	1 1/2" FITTING + CONCAVE GASKET	24	07994R0061	COLLECTOR ASSEMBLY PTK 1000 D.500
13	4404020203	2" FITTING + GASKET	24	00495R0600	COLLECTOR ASSEMBLY PTK 1000 D.650
14	4404020112	CONCAVE GASKET 1 1/2"	24	00496R1200	COLLECTOR ASSEMBLY PTK 1000 D.800
14	4404020211	CONCAVE GASKET 2"	24	07454R0061	COLLECTOR ASSEMBLY PTK 1000 D.950
14	4404190112	CONCAVE GASKET 2 1/2"	25	04975R1350	AIR RELIEF PIPE
15	4404301902	GAKETS + NUT D.50	25	04975R1363	AIR RELIEF PIPE
15	4404301903	GAKETS + NUT D.63	25	04975R1375	AIR RELIEF PIPE
16	4404302701	2 1/2" - D.75 OUTLET ASSEMBLY			

FRANÇAIS

POS.	CODE	DESCRIPTION	POS.	CODE	DESCRIPTION
1	4404020102	COUVERCLE RAPID COMPLET	17	4404302702	ECROU RACCORD 3 PIECES 75
2	4404020111	JOINT DE COUVERCLE	18	4404301901	JOINT TORIQUE RACCORD SORTIE D.56,3X5.3 EPDM 65
3	4404020108	BRIDE DE COUVERCLE COMPLETE	18	4404302703	JOINT 2 1/2"
4	4404020116	JOINT TORIQUE 255x4	19	4404300915	BRAS DE REPARTITEUR 1" 175mm
5	4404020101	MANOMETRE 1/8" COMPLET	19	4404300916	BRAS DE REPARTITEUR 1" 225mm
6	4404010103	MANOMETRE 1/8" 3 KG./CM	20	4404260419	BRAS DE REPARTITEUR 1" 100mm
7	4404160809	BRIDE GORGE 20 VIS	21	4404260418	MANCHON UNION 1"
8	4404160847	COUVERCLE FILTRE D. 220 NOIR	22	4404040108	PURGE D'AIR
9	4404260106	JOINT BRIDE FIXATION VANNE TOP	23	07994R0062	ENSEMBLE DIFFUSEUR PTK 1000 D.500
10	4404160849	BRIDE DE FIXATION COUVERCLE	23	00495R1100	ENSEMBLE DIFFUSEUR PTK 1000 D.650
11	4404040113	BOUCHON PURGE ET JOINT	23	00496R1100	ENSEMBLE DIFFUSEUR PTK 1000 D.800
12	4404010108	PURGE D'EAU 3/8"	23	07454R0062	ENSEMBLE DIFFUSEUR PTK 1000 D.950
13	4404020103	RACCORD 1 1/2" + JOINT CONCAVE	24	07994R0061	ENSEMBLE COLLECTEUR PTK 1000 D.500
13	4404020203	RACCORD 2" + JOINT	24	00495R0600	ENSEMBLE COLLECTEUR PTK 1000 D.650
14	4404020112	JOINT CONCAVE 1 1/2"	24	00496R1200	ENSEMBLE COLLECTEUR PTK 1000 D.800
14	4404020211	JOINT CONCAVE 2"	24	07454R0061	ENSEMBLE COLLECTEUR PTK 1000 D.950
14	4404190112	JOINT CONCAVE 2 1/2"	25	04975R1350	TUBE PURGE
15	4404301902	RACCORD + ECROU D.50	25	04975R1363	TUBE PURGE
15	4404301903	RACCORD + ECROU D.63	25	04975R1375	TUBE PURGE
16	4404302701	ENSEMBLE SORTIE 2 1/2" - D.75			

ITALIANO

POS.	CODE	DESCRIPTION	POS.	CODE	DESCRIPTION
1	4404020102	COPERCHIO RAPID COMPLETO	17	4404302702	GHIERA BOCCHETONE 75
2	4404020111	GUARNIZIONE COPERCHIO	18	4404301901	O-RING RACCORDO USCITA D.56,3X5.3 EPDM 65
3	4404020108	FLANGIA COPERCHIO COMPLETO	18	4404302703	GUARNIZIONE D.2 1/2"
4	4404020116	O-RING 255x4	19	4404300915	CANDELOTTO COLLECTORE 1" 175mm
5	4404020101	MANOMETRO 1/8" COMPLETO	19	4404300916	CANDELOTTO COLLECTORE 1" 225mm
6	4404010103	MANOMETRO 1/8" 3 KG./CM	20	4404260419	CANDELOTTO COLLECTORE 1" 100mm
7	4404160809	ANELLO COLLO 20 VITI	21	4404260418	MANICOTTO DA 1" PER CANDELOTTI
8	4404160847	COPERCHIO FILTRO D. 220 NERO	22	4404040108	SFIATO ARIA
9	4404260106	GUARNIZIONE FLANGIA FISSAGGIO VALVOLE TOP	23	07994R0062	RACCORDO DIFFUSORE PTK 1000 D.500
10	4404160849	FLANGIA FISSAGGIO COPERCHIO	23	00495R1100	RACCORDO DIFFUSORE PTK 1000 D.650
11	4404040113	TAPPO SPURGO E GUARNIZIONE	23	00496R1100	RACCORDO DIFFUSORE PTK 1000 D.800
12	4404010108	SCARICO ACQUA 3/8"	23	07454R0062	RACCORDO DIFFUSORE PTK 1000 D.950
13	4404020103	RACCORDO 1 1/2" + GUAR. CONCAVA	24	07994R0061	KIT COLLETTORE PTK 1000 D.500
13	4404020203	RACCORDO 2" + GUARNIZIONE	24	00495R0600	KIT COLLETTORE PTK 1000 D.650
14	4404020112	GUARNIZIONI CONCAVA 1 1/2"	24	00496R1200	KIT COLLETTORE PTK 1000 D.800
14	4404020211	GUARNIZIONI CONCAVA 2"	24	07454R0061	KIT COLLETTORE PTK 1000 D.950
14	4404190112	GUARNIZIONI CONCAVA 2 1/2"	25	04975R1350	SPURGO
15	4404301902	MANICOTTO + GHIERA IN COLLAGGIO D. 50	25	04975R1363	SPURGO
15	4404301903	MANICOTTO + GHIERA IN COLLAGGIO D. 63	25	04975R1375	SPURGO
16	4404302701	GRUPPO USCITA 2 1/2" - D.75			

DEUTSCH

POS.	CODE	DESCRIPTION	POS.	CODE	DESCRIPTION
1	4404020102	DECKEL RAPID KOMPLETT	17	4404302702	3-TEILIGER ANSCHLUSS 75
2	4404020111	DECKELDICHTUNG	18	4404301901	O-RING D.56,3X5.3 EPDM 65
3	4404020108	EINSATZ RAPID DECKEL KOMPLETT	18	4404302703	DICHTUNG 2 1/2"
4	4404020116	O-RING 255x4	19	4404300915	FILTERSTERN SCHLITZROHR 1" 175mm
5	4404020101	MANOMETER 1/8" KOMPLETT	19	4404300916	FILTERSTERN SCHLITZROHR 1" 225mm
6	4404010103	MANOMETER 1/8" 3 KG./CM	20	4404260419	FILTERSTERN SCHLITZROHR 1" 100mm
7	4404160809	ANSATZRING 20 SCHRAUBEN	21	4404260418	MUFFE 1"
8	4404160847	FILTERDECKEL D. 220 SCHWARZ	22	4404040108	FILTER ENTLÜFTUNG
9	4404260106	DICHTUNG FÜR BEFESTIGUNGSRING TOP-VENTIL	23	07994R0062	OBERER WASSERVERTEILER PTK 1000 D.500
10	4404160849	BLENDENSATZ DECKEL	23	00495R1100	OBERER WASSERVERTEILER PTK 1000 D.650
11	4404040113	KAPPE ENTLERUNG UND DICHTUNG	23	00496R1100	OBERER WASSERVERTEILER PTK 1000 D.800
12	4404010108	ENTLEERUNGSSATZ FILTER 3/8"	23	07454R0062	OBERER WASSERVERTEILER PTK 1000 D.950
13	4404020103	BEHÄLTERVERSCHRÄUBUNGSSATZ 1 1/2"	24	07994R0061	UNTERER WASSERVERTEILER PTK 1000 D.500
13	4404020203	BEHÄLTERVERSCHRÄUBUNGSSATZ 2"	24	00495R0600	UNTERER WASSERVERTEILER PTK 1000 D.650
14	4404020112	DICHTUNGEN GEWÖLBT 1 1/2"	24	00496R1200	UNTERER WASSERVERTEILER PTK 1000 D.800
14	4404020211	DICHTUNGEN GEWÖLBT 2"	24	07454R0061	UNTERER WASSERVERTEILER PTK 1000 D.950
14	4404190112	DICHTUNGEN GEWÖLBT 2 1/2"	25	04975R1350	WASSERENTLEERUNG
15	4404301902	MUFFE+ MUTTER D.50	25	04975R1363	WASSERENTLEERUNG
15	4404301903	MUFFE+ MUTTER D.63	25	04975R1375	WASSERENTLEERUNG
16	4404302701	SET AUSLAUF 2 1/2" - D.75			